

# Artsey Ergo

*In Development*

v1.0.0  
2024-12-07

nRF52840-based Pro Micro compatible 8 key  
keyboard with under-key LEDs.



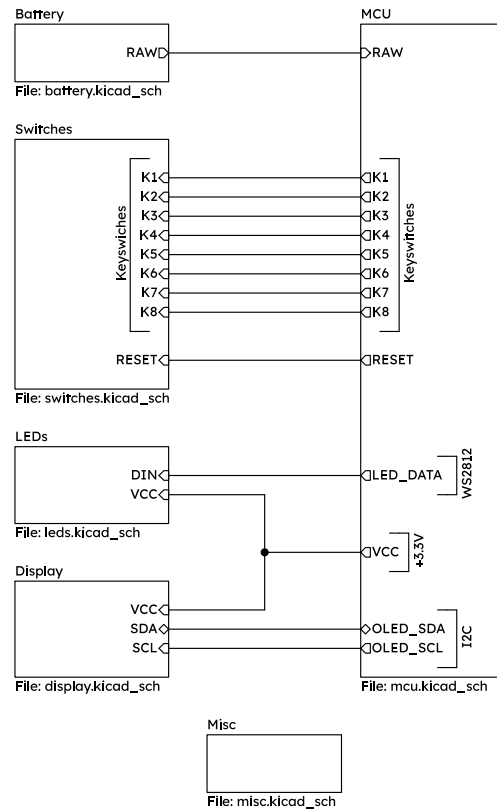
File: block\_diagram.kicad\_sch

## Features

- Supports Artsey and Taipo layouts
- Powered by USB or LiPo battery
- Power switch for battery
- Supports any Pro Micro compatible MCUs  
(firmware modification may be required)
- 128x64 monochrome OLED display
- Hotswappable Kailh Choc v1 switches
- Reversible PCB for cost-effective  
manufacturing

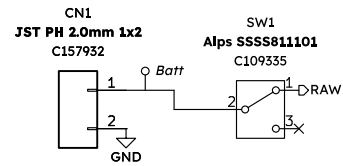
Board Name	Project Name	Engineer	Sheet Title	Sheet Filename and Path	Date	Version	Page Size	Sheet
<b>Artsey Ergo</b>	<b>Artsey Ergo</b>	<b>TMSHader</b>	Artsey Ergo -	/artsey_ergo.kicad_sch	2024-12-07	<b>v1.0.0</b>	<b>A4</b>	<b>1 of 8</b>

# Block Diagram



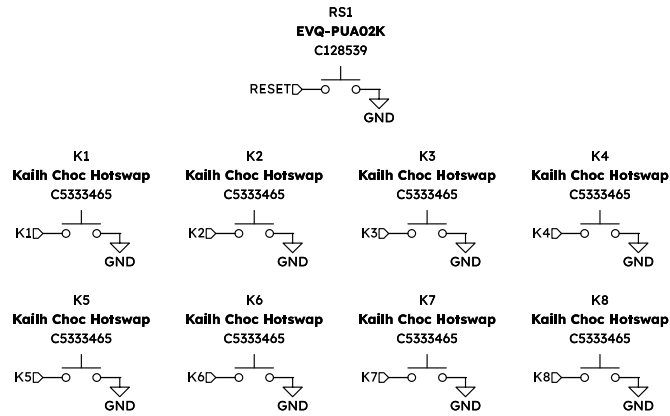
Board Name	Project Name	Engineer	Sheet Title	Sheet Filename and Path	Date	Version	Page Size	Sheet
<b>Artsey Ergo</b>	<b>Artsey Ergo</b>	<b>TMSHader</b>	Artsey Ergo - Block Diagram	/Block Diagram/ block_diagram.kicad_sch	2024-12-07	<b>v1.0.0</b>	<b>A4</b>	<b>2 of 8</b>

# Battery



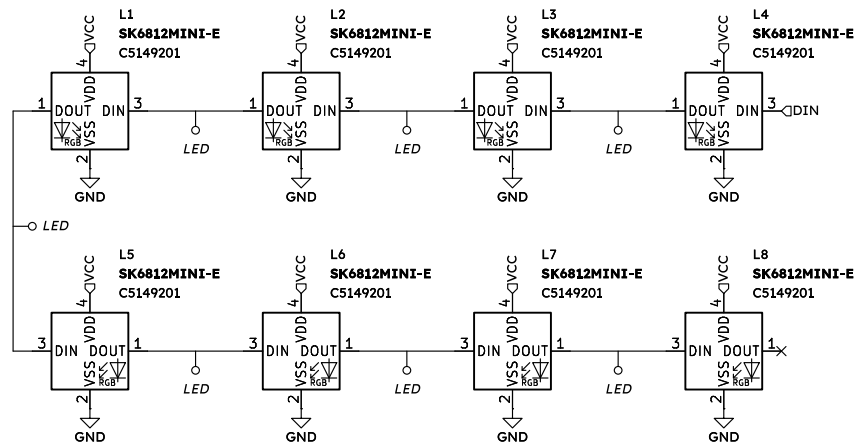
Board Name	Project Name	Engineer	Sheet Title	Sheet Filename and Path	Date	Version	Page Size	Sheet
Artsey Ergo	Artsey Ergo	TMShader	Artsey Ergo - Battery	/Block Diagram/Battery/ battery.kicad_sch	2024-12-07	v1.0.0	A4	3 of 8

# Switches



Board Name	Project Name	Engineer	Sheet Title	Sheet Filename and Path	Date	Version	Page Size	Sheet
Artsey Ergo	Artsey Ergo	TMShader	Artsey Ergo - Switches	/Block Diagram/Switches/switches.kicad_sch	2024-12-07	v1.0.0	A4	4 of 8

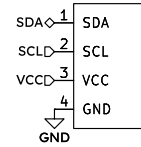
# LEDs



Board Name	Project Name	Engineer	Sheet Title	Sheet Filename and Path	Date	Version	Page Size	Sheet
Artsey Ergo	Artsey Ergo	TMSHader	Artsey Ergo - LEDs	/Block Diagram/LEDs/ leds.kicad_sch	2024-12-07	v1.0.0	A4	5 of 8

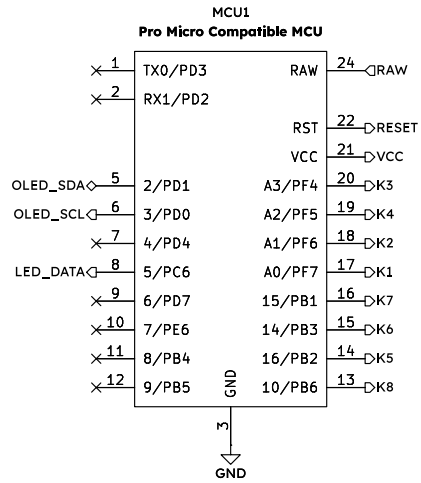
# Display

DP1  
128x32 monochrome OLED  
CS248081



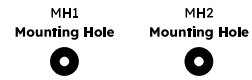
Board Name	Project Name	Engineer	Sheet Title	Sheet Filename and Path	Date	Version	Page Size	Sheet
<b>Artsey Ergo</b>	<b>Artsey Ergo</b>	<b>TMShader</b>	Artsey Ergo - Display	/Block Diagram/Display/ display.kicad_sch	2024-12-07	<b>v1.0.0</b>	<b>A4</b>	<b>6 of 8</b>

# MCU



Board Name	Project Name	Engineer	Sheet Title	Sheet Filename and Path	Date	Version	Page Size	Sheet
<b>Artsey Ergo</b>	<b>Artsey Ergo</b>	<b>TMSHader</b>	Artsey Ergo - MCU	/Block Diagram/MCU/mcu.kicad_sch	2024-12-07	<b>v1.0.0</b>	<b>A4</b>	<b>7 of 8</b>

# Misc



Board Name	Project Name	Engineer	Sheet Title	Sheet Filename and Path	Date	Version	Page Size	Sheet
<b>Artsey Ergo</b>	<b>Artsey Ergo</b>	<b>TMShader</b>	Artsey Ergo - Misc	/Block Diagram/Misc/ misc.kicad_sch	2024-12-07	<b>v1.0.0</b>	<b>A4</b>	<b>8 of 8</b>