

Artsey Ergo

In Development

v1.0.0
2024-12-07

nRF52840-based Pro Micro compatible 8 key
keyboard with under-key LEDs.

Block Diagram

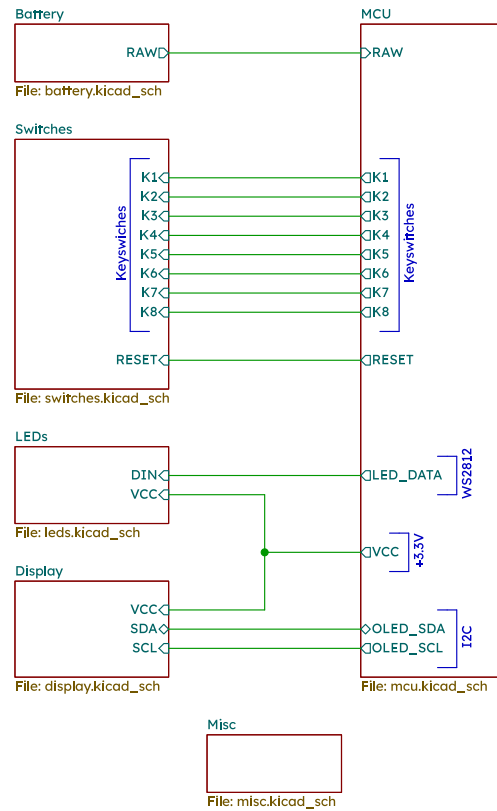
File: block_diagram.kicad_sch

Features

- Supports Artsey and Taipo layouts
- Powered by USB or LiPo battery
- Power switch for battery
- Supports any Pro Micro compatible MCUs
(firmware modification may be required)
- 128x64 monochrome OLED display
- Hotswappable Kailh Choc v1 switches
- Reversible PCB for cost-effective
manufacturing

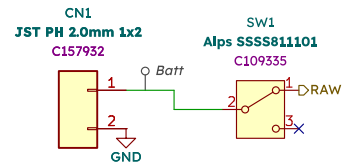
Board Name	Project Name	Engineer	Sheet Title	Sheet Filename and Path	Date	Version	Page Size	Sheet
Artsey Ergo	Artsey Ergo	TMSHader	Artsey Ergo -	/artsey_ergo.kicad_sch	2024-12-07	v1.0.0	A4	1 of 8

Block Diagram



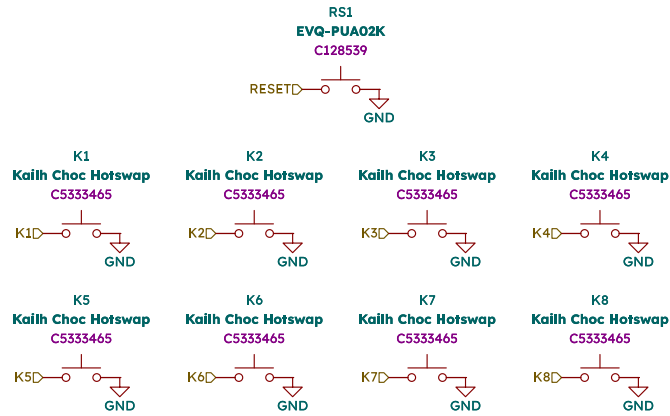
Board Name	Project Name	Engineer	Sheet Title	Sheet Filename and Path	Date	Version	Page Size	Sheet
Artsey Ergo	Artsey Ergo	TMSHader	Artsey Ergo - Block Diagram	/Block Diagram/ block_diagram.kicad_sch	2024-12-07	v1.0.0	A4	2 of 8

Battery



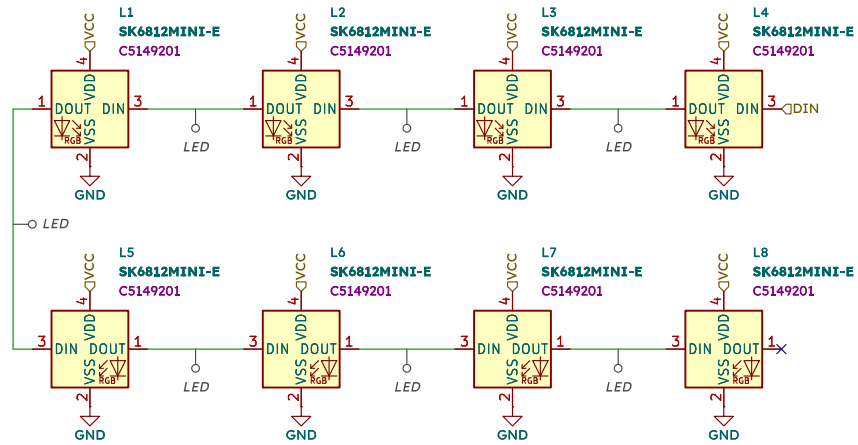
Board Name	Project Name	Engineer	Sheet Title	Sheet Filename and Path	Date	Version	Page Size	Sheet
Artsey Ergo	Artsey Ergo	TMShader	Artsey Ergo - Battery	/Block Diagram/Battery/battery.kicad_sch	2024-12-07	v1.0.0	A4	3 of 8

Switches



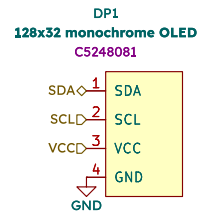
Board Name	Project Name	Engineer	Sheet Title	Sheet Filename and Path	Date	Version	Page Size	Sheet
Artsey Ergo	Artsey Ergo	TMShader	Artsey Ergo - Switches	/Block Diagram/Switches/switches.kicad_sch	2024-12-07	v1.0.0	A4	4 of 8

LEDs



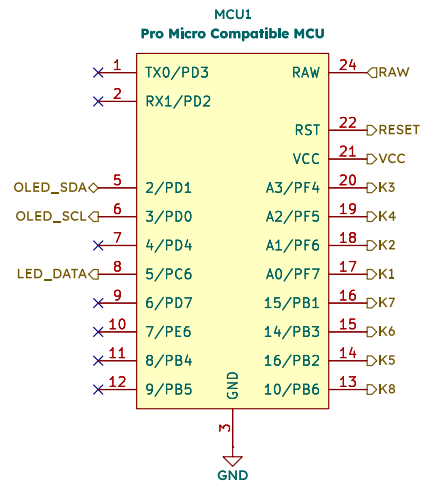
Board Name	Project Name	Engineer	Sheet Title	Sheet Filename and Path	Date	Version	Page Size	Sheet
Artsey Ergo	Artsey Ergo	TMSHader	Artsey Ergo - LEDs	/Block Diagram/LEDs/leds.kicad_sch	2024-12-07	v1.0.0	A4	5 of 8

Display



Board Name	Project Name	Engineer	Sheet Title	Sheet Filename and Path	Date	Version	Page Size	Sheet
Artsey Ergo	Artsey Ergo	TMShader	Artsey Ergo - Display	/Block Diagram/Display/display.kicad_sch	2024-12-07	v1.0.0	A4	6 of 8

MCU



Board Name	Project Name	Engineer	Sheet Title	Sheet Filename and Path	Date	Version	Page Size	Sheet
Artsey Ergo	Artsey Ergo	TMSheader	Artsey Ergo - MCU	/Block Diagram/MCU/mcu.kicad_sch	2024-12-07	v1.0.0	A4	7 of 8

Misc



Board Name	Project Name	Engineer	Sheet Title	Sheet Filename and Path	Date	Version	Page Size	Sheet
Artsey Ergo	Artsey Ergo	TMShader	Artsey Ergo - Misc	/Block Diagram/Misc/ misc.kicad_sch	2024-12-07	v1.0.0	A4	8 of 8